

**TREKSTOR**<sup>®</sup>  
Enjoy now.



# WinPhone 4.7 HD

**OPERATING INSTRUCTIONS**

<b>1) About the WinPhone 4.7 HD</b>	<b>4</b>
<b>2) Safety information</b>	<b>5</b>
Operational safety	5
Repair	6
Intended operating conditions	7
Power supply	7
Care and maintenance	7
Notes on devices with a suction cup	7
Information on the memory capacities indicated	8
<b>3) Technical specifications</b>	<b>9</b>
<b>4) Package contents</b>	<b>9</b>
<b>5) Controls and ports</b>	<b>11</b>
<b>6) Starting up the mobile phone for the first time</b>	<b>11</b>
Removing/Putting on the interchangeable cover	11
Inserting a SIM card and memory card	12
Inserting the battery	12
Charging the mobile phone	12
Switching on the mobile phone	13
<b>7) Start screen and App list</b>	<b>13</b>
Start screen	13
App list	14
<b>8) Using and setting up the Start screen</b>	<b>15</b>
Unlocking the display	15
Selecting an element	16
Moving the display	16
Arranging and sorting the live tiles	16
<b>9) Basic functions</b>	<b>17</b>
Making a call	17
Adding a contact	17

Sending a text message .....	18
<b>10) Connecting the mobile phone to the Internet .....</b>	<b>18</b>
Connecting to the Internet via WiFi .....	18
Connecting to the Internet via 3G.....	18
<b>11) Downloading apps from the Windows Phone Store .....</b>	<b>18</b>
Transferring files via Bluetooth .....	19
Transferring files between the mobile phone and a PC .....	20
<b>13) Using the camera .....</b>	<b>20</b>
<b>14) Updating the software .....</b>	<b>21</b>
Installing downloaded updates.....	21
<b>15) Carrying out a data backup .....</b>	<b>21</b>
<b>16) Reset .....</b>	<b>22</b>
Performing a reset .....	22
Restoring to factory settings .....	22
<b>17) Switching off the mobile phone .....</b>	<b>22</b>
<b>18) Notes on copyright and trademarks .....</b>	<b>23</b>
<b>19) Notes on disposal .....</b>	<b>23</b>
Disposal.....	23
Recycling .....	23
<b>20) Notes on liability and warranty .....</b>	<b>24</b>

We hope you enjoy your TrekStor WinPhone 4.7 HD.  
Please read the following sections carefully to familiarise yourself with the functions of this product and how to operate it.

**IMPORTANT!**

Follow the safety information in Section 2.

**IMPORTANT!**

Please keep these instructions in a safe place for future reference. Should the device change hands, pass these instructions on to the new owner.

Up-to-date product information is available on the TrekStor website:  
[www.trekstor.de](http://www.trekstor.de)

Visit [www.trekstor-onlineshop.de](http://www.trekstor-onlineshop.de) for additional products and accessories.

## 1) About the WinPhone 4.7 HD

The TrekStor WinPhone 4.7 HD is a mobile phone with the Windows 8.1 operating system. Alongside its primary function as a phone, the WinPhone 4.7 HD can also be used for surfing the Internet, using apps and playing music, videos and games.

Only ever use the device for its intended purpose. The manufacturer is not liable for damages resulting from improper use. Furthermore, the manufacturer shall not be responsible for damages or loss of data and any subsequent damage caused.

## 2) Safety information

These instructions use the following warning symbols and key words:



**DANGER**

*Indicates possible danger to life and/or danger of severe, irreversible injuries.*



**CAUTION**

*Follow instructions to avoid injuries and material damage.*



**WARNING**

*Follow instructions to avoid material damage.*



**NOTE**

*Further information about the use of the device.*

## Operational safety



**CAUTION**

*Those who, as a result of their physical, sensory or mental capabilities, or lack of experience or knowledge, are not in a position to use the product safely must not be allowed in the vicinity of the product without supervision or instruction by a person responsible for their safety. Supervise children around the product.*



**DANGER**

*Keep packaging materials out of reach of children (e.g., plastic sheets). There is a danger of suffocation.*



**DANGER**

*Some accessories can pose a choking hazard for babies and young children. Keep these accessories out of reach of babies and young children.*



**DANGER**

*Never open the casing of the device or the charger: This may cause an electrical shock, short circuit or fire!*



**DANGER**

*Do not insert any object into the ports or openings of the device or charger: This may cause an electrical shock, short circuit or fire!*

**DANGER**

*Do not cover the device or charger during operation or while charging. This may cause the device/charger to overheat and potentially catch fire!*

**CAUTION**

*This device can generate high sound volumes. Never listen at high volumes for long periods. Doing so can result in immediate or gradual hearing damage. Remember: Permanent hearing damage may only emerge later in life. You may become used to listening to high volumes over time, making them appear normal to you. However, your hearing may have already been damaged. The higher you set the volume, the more quickly your hearing can be damaged.*

**DANGER**

*Your safety is very important to us! Safety always has first priority in road transport. Protect yourself and other road users by operating the device only if the traffic situation allows it and you do not endanger or hinder anyone. Adjust the volume of the device for your safety so that you can continue to react to all the sounds around you. Local legislation in force applies.*

**WARNING**

*Do not exert excessive pressure on the display, as it may break.*



*Avoid using USB cables over 3 m in length.*



*Exposing the device to electrostatic discharge can interrupt the data transfer between the device and the computer or impair the functions of the device. Should this happen, disconnect the device from the USB port and reconnect it or rebuild the WiFi connection from scratch.*

## Repair

**WARNING**

*No parts inside the device require maintenance or cleaning.*

**WARNING**

*Should the device become wet, turn it off immediately. Ensure the device is checked for operational safety before using it again.*

## Intended operating conditions



*Protect the device from extremely high or low temperatures and fluctuations in temperature. Use it at an ambient temperature between 10°C and 40°C.*



*Do not place the device near a heat source and protect it from direct sunlight.*



*Never expose the device to humidity, condensation or moisture.*



*Ensure you use and store the device in a dust-free environment.*

## Power supply



### **CAUTION**

*Only ever use the original charger or a charger with the correct voltage and amperage to prevent damage to the device. If you have to resort to a universal charger, pay attention to the polarity of the charging device as well as the voltage and amperage. Your device may suffer irreparable damage if these specifications are not properly adhered to.*



### **CAUTION**

*Do not use or charge the device if the battery is damaged or leaks.*

## Care and maintenance



*Never clean the surface of the device with solvents, paint thinners, cleaning agents or other chemical products. Use a soft, dry cloth or a soft paintbrush.*

## Notes on devices with a suction cup



### **WARNING**

*When attaching the device using the suction cup, ensure that the surface of the suction cup and the surface to which the device is to be attached are smooth, clean and free of grease. Always use the release tab provided to detach the suction cup: Never pull the product directly.*

## Information on the memory capacities indicated



*The storage capacity indicated on the packaging and in the technical specifications refers to the total storage capacity of your device. The storage capacity of the device indicated by your operating system may differ from the stated storage capacity, as a portion of the total storage is also used by the operating system and system applications.*

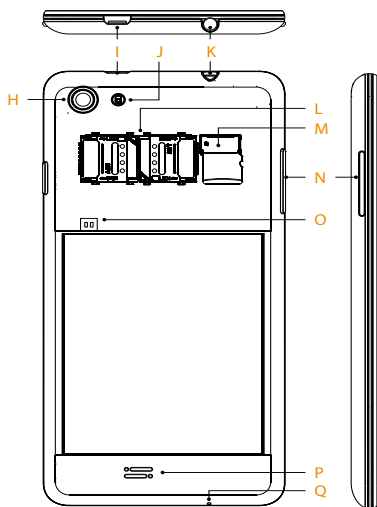
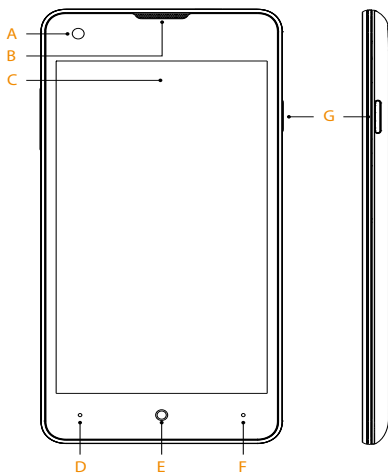


### 3) Technical specifications

Processor (CPU)	Quad core, 1.2 GHz
RAM	1 GB
Graphics processing unit (GPU)	Adreno 302
Display type	Capacitive multi-touch IPS HD display
Display size	4.7" (11.93 cm)
Screen resolution	720 x 1280
Camera	8 MP (auto focus)/2 MP webcam
Interfaces	Micro-USB 2.0, audio out, microphone, memory card reader, 3G (2 x micro-SIM), WiFi, Bluetooth®, GPS, FM radio
Supported memory cards	microSD, microSDHC/SDXC (up to 128 GB)
Supported operating systems	Windows® (Windows 8, 7, Vista®, XP), Linux®
Dimensions (W x H x D)	68 x 136 x 7.5 mm
Weight	approx. 99.5 g (including battery)
Battery	Lithium polymer
Housing material	Plastic
Operating system	Windows® 8.1

### 4) Package contents

- WinPhone 4.7 HD
- USB cable (Micro-USB/USB-A)
- Battery
- Power adapter (100 V – 240 V)
- Quick guide
- Product safety and legal information
- Three interchangeable covers



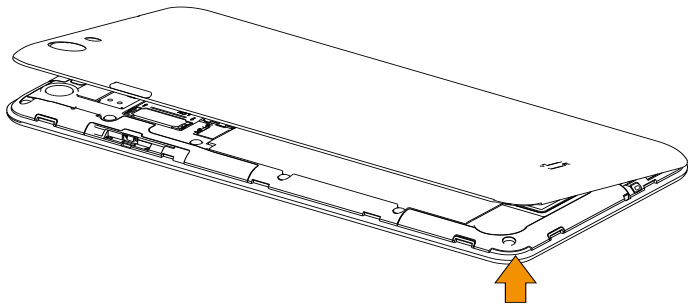
## 5) Controls and ports

- A) Front camera
- B) Earpiece
- C) Touch screen
- D) Search button
- E) Home button
- F) Back button
- G) On/Off switch
- H) Rear camera
- I) Micro-USB socket
- J) Flash/Video light
- K) Audio out socket
- L) 2 x Micro-SIM card slot
- M) Memory card slot
- N) Volume control
- O) Battery contacts
- P) Speaker
- Q) Microphone

## 6) Starting up the mobile phone for the first time

### Removing/Putting on the interchangeable cover

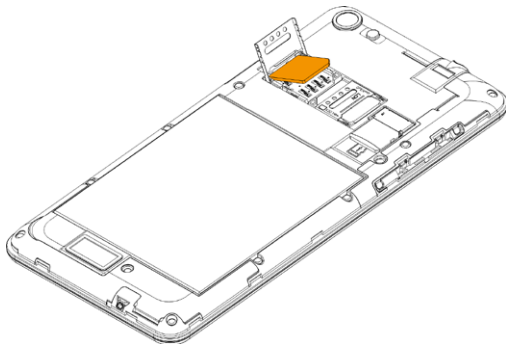
- a) To remove the interchangeable cover, carefully lift it at the notch at the bottom corner and pull it off.
- b) To put the cover on, lay it onto the back of the mobile phone and press it down firmly all round until it snaps into place.



## Inserting a SIM card and memory card

- a) Slide the cover of a SIM card slot from "LOCK" to "OPEN" to open it.
- b) Insert the SIM card.
- c) Fold the cover back down and slide it from "OPEN" to "LOCK".

**i** To expand the memory, insert a microSD/SDHC/SDXC memory card (maximum of 128 GB) into the slot provided.



## Inserting the battery

Insert the battery in such a way that the contacts on the mobile phone and on the battery are connected. The TrekStor logo should be visible.

## Charging the mobile phone

The mobile phone is generally delivered with a battery charged to 80%. Nonetheless, you should charge the mobile phone before starting it up for the first time. Connect your mobile phone to a plug socket using the USB cable and power adapter and fully charge it.

**i** The maximum battery life is reached after approximately ten charging cycles.

## Switching on the mobile phone

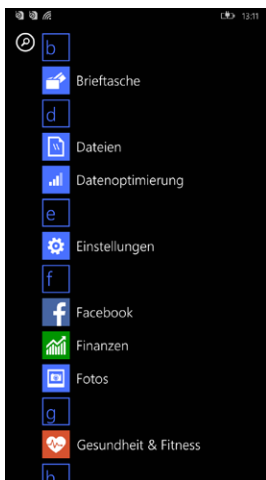
- a) Press the on/off switch for approximately two seconds to switch on the mobile phone.
  - b) Now follow the instructions of the setup assistant to set up your mobile phone.
- i** *During the setup process, the setup assistant prompts you to sign in with your Microsoft account. If you do not yet have a Microsoft account, please set one up at this point.*

## 7) Start screen and App list

When you switch on your mobile phone, the Start screen with live tiles appears. If you would like to call up the App list, swipe your finger from right to left. Swipe in the opposite direction to return to the Start screen.

## Start screen





## 8) Using and setting up the Start screen

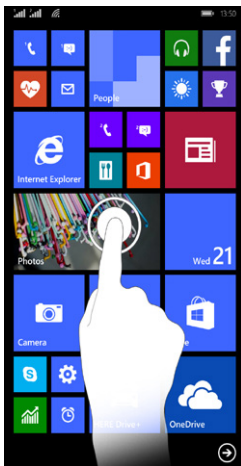
### Unlocking the display

As soon as the device has been set up (and every time it is switched on and booted up), the lock screen appears. Drag the lock screen up with your fingertip to unlock the screen.



## Selecting an element

Using your fingertip, briefly tap the desired live tile or an input area in order to open it.



## Moving the display

To move the display, place your finger on an area of the touch screen and drag the screen in the desired direction. The display follows your movements. If you slide your finger to the left, you reach the page to the right of the Start screen.

## Arranging and sorting the live tiles

### Moving a live tile

- Place your finger on the live tile you want to move and hold down the tile until it appears highlighted.
- Drag the live tile to where you want it to be and release it.
- Briefly tap the live tile to fix it into place.



## Enlarging or reducing a live tile

- Place your finger on the live tile you want to resize and hold down the tile until it appears highlighted.
- Then tap the arrow symbol in the bottom right corner to increase or decrease the size of the selected live tile.

## Removing a live tile from the Start screen

- Place your finger on the live tile you want to remove and hold down the tile until it appears highlighted.
- Then tap the pin symbol in the top-right corner to remove the live tile from the Start screen.

 *This action does not delete the application – it can still be called up via the App list.*

## Adding live tiles to the Start screen

- Call up the App list.
- Place your finger on the live tile you want to add and hold down the tile until a window with the message "PIN TO START" appears.
- Tap "PIN TO START" and the live tile is added to the Start screen.

## 9) Basic functions

### Making a call

- Tap the live tile with the handset illustration on the Start screen, then tap the keypad at the bottom edge of the screen.
- Select the SIM card to be used for the call.
- Enter the telephone number and tap "CALL".

### Adding a contact

- Tap "PEOPLE" on the Start screen, then tap the plus symbol at the bottom edge of the screen.
- Enter the desired contact details.
- To save this data, tap the floppy disk symbol at the bottom edge of the screen.

## Sending a text message

- a) Tap the live tile with the speech bubble illustration on the Start screen, then tap the plus symbol at the bottom edge of the screen.
- b) Enter the telephone number or contact and compose your message.
- c) Select the SIM card for sending the text message, then tap the send symbol at the bottom edge of the screen.


## 10) Connecting the mobile phone to the Internet

### Connecting to the Internet via WiFi

- a) Swipe your finger from the top of the screen to the bottom and tap "ALL SETTINGS" → "WiFi".
- b) Move the slider for WiFi from "OFF" to "ON".
- c) Tap the network you want to connect to from the list below.
- d) Enter the appropriate password and confirm with "DONE".

### Connecting to the Internet via 3G

If you find yourself out of range of a WiFi network, your mobile phone can also connect to the Internet via 3G, providing you have inserted a SIM card with a suitable data plan.

 *In order to avoid roaming costs abroad, deactivate this option under "ALL SETTINGS" → "MOBILE + SIM".*

## 11) Downloading apps from the Windows Phone Store

The Windows Phone Store is available as a live tile on the Start screen. You can identify the Windows Phone Store by its icon, a shopping bag featuring the Windows logo.

The following two requirements must be met in order to use the Windows Phone Store:

### **You must be connected to the Internet**

Here, you need to follow the instructions in Section 10.


## You must have a Microsoft account and be signed in with it

Ideally, you will have created a Microsoft account or signed in with your existing Microsoft account during the initial setup process when you first switched on your mobile phone. In this case, all you have to do is open the Windows Phone Store, select the desired app and tap "INSTALL" or "BUY".

If you do not yet have a Microsoft account or are not signed in with it, you must perform these steps. To do this, open the Windows Phone Store and select the desired app. Tap the app and then tap "INSTALL" or "BUY". An assistant now appears to guide you through the process of setting up a Microsoft account.

## 12) Transferring files between the mobile phone and other devices

### Transferring files via Bluetooth

- a) Activate the Bluetooth function on the device you want to connect and make the device visible to other devices, if necessary. To do so, refer to the operating instructions of the device you would like to connect.
  - b) Swipe your finger from the top of the screen to the bottom and tap "ALL SETTINGS" → "BLUETOOTH".
  - c) Move the slider for Bluetooth from "OFF" to "ON".
  - d) Select the device you would like to connect from the list of devices available by tapping the name of the device.
  - e) The mobile phone sends a verification code to the device to be connected. Check that the code displayed on the device to be connected matches the code displayed on the mobile phone and confirm with "[JA]" on the mobile phone.
  - f) You may also have to confirm the pairing procedure on the device to be connected.
  - j) The status message "CONNECTED" appears under the selected device after successful pairing.
-  *After a successful file transfer, deactivate the Bluetooth function on the mobile phone (and your destination device) to save energy.*

## Transferring files between the mobile phone and a PC

- a) Connect the mobile phone to your computer with the Micro-USB cable provided.
- b) A short moment later, the memory of the mobile phone will be shown as an external drive in your computer's file explorer. From here you can load, copy, delete or move files as usual.

## 13) Using the camera

A camera application is already installed on your mobile phone. This can be found in the App list under the label "CAMERA". Tap the app to open the camera. The following screen appears:



### Taking a photo

Tap the photo camera symbol on the right side of the screen to take a photo.

### Recording a video

Tap the video camera symbol on the right side of the screen. A circle with a red dot in the centre appears. Tap the red dot to start recording the video. To stop video recording, tap the "Stop" symbol (appears instead of the dot during recording).

### Calling up options and front camera

To call up further options of the camera application or to switch to the front camera, use the list of options on the left side of the screen.

## 14) Updating the software

- i** *An update cannot be carried out when the battery is too low. During the software update, connect your mobile phone to a plug socket using the Micro-USB cable and the power adapter.*

### Setting automatic download of updates

- Swipe your finger from the top of the screen to the bottom and tap "ALL SETTINGS" → "PHONE UPDATE".
- Select the check box "AUTOMATICALLY DOWNLOAD UPDATES IF MY DATA SETTINGS ALLOW IT".

- i** *The data settings must be configured to allow updates to be downloaded. For example, data optimisation and the power saving mode can limit your mobile phone's data usage.*

### Searching for updates manually

- Swipe your finger from the top of the screen to the bottom and tap "ALL SETTINGS" → "PHONE UPDATE".
- Tap "CHECK FOR UPDATES".
- Tap "DOWNLOAD" when prompted to do so after the search for updates has completed.

## Installing downloaded updates

As soon as an update has been downloaded, tap "SEE DETAILS" and then "INSTALL". Your mobile phone is restarted and the update is installed. If you would like to install the update later, tap "SEE DETAILS" and then "NOT NOW".

## 15) Carrying out a data backup

When you log in on your mobile phone using your Microsoft account, you can activate a service that allows you to automatically save data in the cloud.

Swipe your finger from the top of the screen to the bottom and tap "ALL SETTINGS" → "BACKUP". Here you can specify how your mobile phone is to back up your apps, settings, text messages, photos and videos.


You can also carry out a manual backup of your apps and settings at any time. To do this, switch to "ALL SETTINGS" → "BACKUP" → "APPS + SETTINGS", activate "SETTINGS BACKUP" and then tap "BACKUP NOW".

## 16) Reset

### Performing a reset

If the mobile phone "freezes" and no longer responds, you can restart it. Press and hold down the On/off switch until the device switches off (approximately 15 to 20 seconds). You can then restart the mobile phone.

### Restoring to factory settings

- a) Swipe your finger from the top of the screen to the bottom and tap "ALL SETTINGS" → "ABOUT" → "RESET YOUR PHONE".
  - b) Two warnings appear. If you are absolutely certain that you would like to restore your mobile phone to its factory settings, tap "Yes" and then once again "Yes".
-  *Please be aware that restoring your mobile phone to the factory settings deletes all of the data stored on it, such as apps, games (including game progress), text messages, call history, music, photos and so on.*

## 17) Switching off the mobile phone

- a) Press the On/off switch for approximately three seconds to switch off the mobile phone. The lock screen appears in the top half of the screen.
- b) Drag the lock screen down with your finger to shut down and switch off the mobile phone.

## 18) Notes on copyright and trademarks

Copyright law prohibits the copying of the content of these operating instructions (illustrations, reference documents etc.), in whole or in part, without the permission of the copyright holder.

The Bluetooth word mark and logos are registered trademarks owned by Bluetooth SIG, Inc. and any use of such marks by TrekStor GmbH is under license. Other trademarks and trade names are those of their respective owners.

Microsoft, Windows and Windows Vista are either registered trademarks or trademarks of Microsoft Corporation in the United States and/or other countries.

Linux is the registered trademark of Linus Torvalds in the U.S. and other countries.

TrekStor and SurfTab are registered trademarks of TrekStor Ltd. in the European Community and other countries.

Copyright © 2015 TrekStor GmbH. All rights reserved. Some product or company names mentioned elsewhere may be brand names or trade names of the respective proprietor.

## 19) Notes on disposal

### Disposal



*This symbol indicates that this product and/or the battery used contain components that are harmful to the environment and/or human health if not disposed of correctly. As the owner of a used electrical or electronic device, you may not dispose of this device together with unsorted domestic waste.*



*Remove the battery from the device before disposing of your old device. Contact your city or municipal authority for information on how to correctly dispose of the device and its battery.*

### Recycling



*Your device and its sales packaging consist of valuable raw materials, which must be recycled in the interest of environmental protection. Contact your city or municipal authority for information on the correct method of disposal.*

## 20) Notes on liability and warranty

The manufacturer shall reserve the right to constantly further develop the product. These changes may be made without any direct reference to them in the operating instructions. As a result, the information contained in the operating instructions does not need to reflect the current technical design.

The statutory warranty period for consumer products is 24 months. There is no warranty beyond this.

Unauthorised modifications to the device (particularly installing external firmware not approved by the manufacturer or modifications to the device hardware) may result in a loss of all warranty claims.



# EC DECLARATION OF CONFORMITY

As manufacturer and importer respectively:

**TrekStor GmbH** | Kastanienallee 8 - 10 | D-64653 Lorsch, Germany

herewith declares that the products

**Product: WinPhone 4.7 HD**

**Type: Mobile Phone**

comply with the following directive(s):

- 99/5/EC Radio Equipment and Telecommunications Terminal Equipment
- 2006/95/EC Low Voltage Directive

The following norms were consulted to assess conformity:

**-EN 300 328 V1.7.1**

Data transmission equipment operating in the 2,4 GHz ISM band and using wide band modulation techniques

**-EN 301 489-1 V1.9.2 EMC and ERM**

Part 1: Common technical requirements

**-EN 301 489-3 V1.4.1 EMC and ERM**

Part 3: Specific conditions for Short-Range Devices (SRD) operating on frequencies between 9 kHz and 40 GHz

**-301 489-7 V1.3.1 EMC and ERM:**

Part 7: Specific conditions for equipment of digital cellular radio telecommunications systems (GSM and DCS)

**-EN 301 489-17 V2.2.1 EMC and ERM**

Part 17: Specific conditions for 2,4 GHz wideband transmission systems

**-EN 301 489-24 V1.5.1 EMC and ERM**

Part 24: Specific conditions for IMT-2000 CDMA Direct Spread (UTRA and E-UTRA)

**-EN 301 511 V9.0.2 GSM**

Harmonized EN for mobile stations in the GSM 900 and GSM 1800 bands

**-EN 301 908-1 V6.2.1 WCDMA**

IMT cellular networks; Harmonized EN; Part 1: Introduction and common requirements

**-EN 301 908-2 V5.2.1 WCDMA**

IMT cellular networks; Harmonized EN; Part 2: CDMA Direct Spread (UTRA FDD) User Equipment (UE)

**-EN 300 440-1 V1.6.1 GPS**

Radio equipment to be used in the 1 GHz to 40 GHz frequency range; Part 1: Technical characteristics and test methods

**-EN 300 440-2 V1.4.1 GPS**

Radio equipment to be used in the 1 GHz to 40 GHz frequency range; Part 2: Harmonized EN covering the essential requirements

**-EN 62209-1:2006 SAR**

Instrumentation and Procedures, Part 1: SAR in close proximity to the human ear (300 MHz to 3GHz)

**-EN 62209-2:2010 SAR**

Instrumentation and Procedures, Part 2: SAR in close proximity to the human body (frequency range of 30 MHz to 6 GHz).

**-EN 50360:2001 + A1:2012 SAR**

Basic restrictions related to human exposure to electromagnetic fields (300 MHz - 3 GHz) especially usage of the device in the near of the human ear.

**-EN 50566:2013 SAR**

Product standard to demonstrate compliance of radio frequency fields from handheld and body-mounted wireless communication devices used by the general public (30 MHz - 6 GHz)

**-EN 62479:2010 SAR**

Basic restrictions related to human exposure to electromagnetic fields (10 MHz to 300 GHz)

**-EN 62471:2008 LED lighting products**

Photobiological safety of lamps and lamp systems

**-EN 60950-1:2006 + A11:2009 + A1:2010 + A12:2011:**

Information technology equipment – Safety – Part 1: General requirements

The CE symbol confirms that this product conforms with the above mentioned norms and regulations.

The manufacturer also declares the conformity of the product according to the following directives:

-2011/65/EU RoHS: Hazardous substances in electrical and electronic equipment

-2006/1907/EC REACH: Regulation concerning the Registration, Evaluation, Authorisation and Restriction of Chemicals

-2013/1272/EU PAH REACH as regards polycyclic aromatic hydrocarbons

-2009/125/EC Ecodesign requirements for energy-using products

## Supportinformationen

### Sollten Sie Fragen zu Ihrem TrekStor Produkt haben, gehen Sie bitte wie folgt vor:

- Überprüfen Sie anhand der Produkteigenschaften und der Funktionen Ihres Gerätes (auf der Verpackung ersichtlich), ob Sie die richtigen Einstellungen vorgenommen haben.
- Lesen Sie aufmerksam die gesamte Bedienungsanleitung.
- Informieren Sie sich auf unserer Website [www.trekstor.de](http://www.trekstor.de) über aktuelle Informationen zu Ihrem Produkt (z. B. neu verfügbare Firmware-Updates).

### Wenn Sie weitergehende Fragen zu Ihrem Produkt haben, beachten Sie bitte die folgenden TrekStor Supportoptionen:

**FAQ** Der FAQ-Bereich unserer Website bietet Ihnen vielfältige Problemlösungshinweise. Hier erhalten Sie Antworten zu den am häufigsten gestellten Fragen zu unseren Produkten.

**E-Mail** Füllen Sie das Supportformular auf unserer Website aus oder senden Sie eine E-Mail an [support.de@trekstor.de](mailto:support.de@trekstor.de).

**Telefonsupport** Von Deutschland aus wählen Sie bitte **01805-TREKSTOR\***, **01805-87357867\***. Die Nummer der Supporthotline für andere Länder finden Sie auf unserer Website unter "SERVICE".

\* 14 Cent/Min. aus dem deutschen Festnetz der DTAG, max. 42 Cent/Min. aus Mobilfunknetzen.

## Support information

### If you have any questions regarding your TrekStor product, please proceed as follows:

- Check the features as well as the functions of your device (apparent on the packaging), in order to use the correct settings.
- Read the manual carefully.
- Inform yourself on our website [www.trekstor.de/en](http://www.trekstor.de/en) about the up-to-date information concerning your product (e. g. available most recent firmware releases).

### In the case you have further questions regarding your product, please note the following TrekStor support options:

**FAQ** The FAQ area of our website offers you a wide range of problem solving hints. Here you can obtain answers to the most frequently asked questions concerning our products.

**E-Mail** Please fill in the support form on our website or send an E-Mail to [support.en@trekstor.de](mailto:support.en@trekstor.de). You can find mailing addresses for other countries when you click "SERVICE" at the menu bar on our website.

**Phone support** Please find the number of the support hotline for your country on our website under "SERVICE" as well.

**TrekStor GmbH**  
Kastanienallee 8-10  
D-64653 Lorsch, Germany

[www.trekstor.de](http://www.trekstor.de)



**CE 1313**

BA-WP47HD\_V1-10-EN-150401