

# Contents

<b>1</b>	<b>Getting Started</b>	<b>3</b>
1.1	Package Content . . . . .	3
1.2	Device Diagram . . . . .	4
1.3	LC-Display . . . . .	6
<b>2</b>	<b>How to use the TrekStor MusicStick 120</b>	<b>7</b>
2.1	Power On/Off . . . . .	7
2.2	Basic functions . . . . .	7
2.2.1	Volume Control . . . . .	7
2.2.2	Play / Pause / Stop . . . . .	8
2.2.3	Preview/Next . . . . .	8
2.2.4	Rewind/Fast Forward . . . . .	8
2.2.5	A-B Repeat . . . . .	9
2.2.6	Lock Keys . . . . .	9
2.3	Menu Mode . . . . .	10
2.3.1	Voice Recording . . . . .	10

2.3.2	Change EQ mode . . . . .	11
2.3.3	Switch playback mode . . . . .	12
2.3.4	Preview Songs . . . . .	12
2.3.5	Delete one track . . . . .	13
2.3.6	Delete all tracks . . . . .	13
2.3.7	Memory . . . . .	14
2.3.8	Backlight . . . . .	14
2.3.9	Contrast . . . . .	14
2.3.10	Auto shutdown . . . . .	15
2.3.11	Play Time Setting . . . . .	15
2.3.12	Set Display Language . . . . .	16
<b>3</b>	<b>Connecting the player to the PC</b>	<b>17</b>
3.1	System Requirements . . . . .	17
3.2	Installation guidelines . . . . .	18
3.3	Remove the player from the PC . . . . .	18
3.4	Downloading Audio Files . . . . .	19
<b>4</b>	<b>Additional information about the TrekStor MusicStick 120</b>	<b>21</b>
4.1	Firmware update and format . . . . .	21
4.2	Technical Specifications . . . . .	23
<b>5</b>	<b>Troubleshooting</b>	<b>25</b>

## Caution

1. Do not subject the device to severe impact or drop it from high position.
2. Do not use the player in extreme hot or cold, dusty or damp field. Do not expose it to direct sunshine.
3. Back up the data frequently in case of accident data loss.
4. Avoid using the player in strong magnetic field.
5. Keep the device away from water or other liquids. In the event that water or other liquids enter the device, power off the product immediately and clean it.
6. Do not use chemical solution to clean the device in order to avoid corrosion. Clean it with a dry cloth.
7. We are not responsible for the damages or lost data caused by malfunction, misusing, repairing the device or battery replacement.
8. Do not attempt to disassemble, repair or modify the product, or it will be out of guarantee.



# 1 Getting Started

## 1.1 Package Content

The package should contain the following items:



Main Unit



Earphone



Neck Strap



AAA-size  
Battery

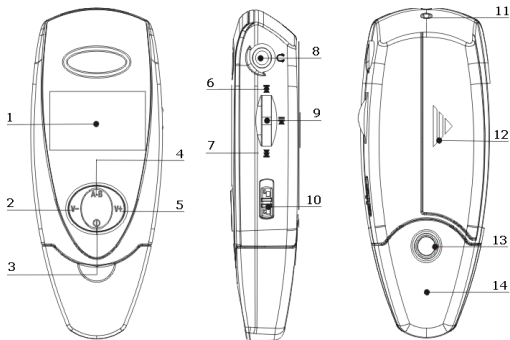


User Manual



Driver CD

## 1.2 Device Diagram

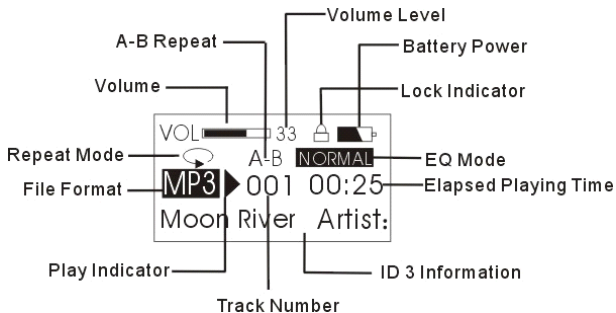


- 1 LCD
- 2 Volume Decrease 'V-' Key
- 3 Ⓜ-Key / Menu / On/Off
- 4 'A-B' Key / Record
- 5 Volume Increase 'V+' Key
- 6 ⏮◀◀ 'Previous

- 7 ▶▶|| 'Next
- 8 Earphone Jack
- 9 Control Wheel ▶▶|| ('Play'/'Pause'/'Ok')
- 10 'Hold'-Switch (locked)
- 11 Neck Strap Holder
- 12 Battery Cover
- 13 USB-Button
- 14 USB-Cover

## 1.3 LC-Display

You enter the music mode as you turn on the player. The display is as follows:



**Note:** ID3 information consists of Track Title, Artist, Song Writer etc. If the player includes a LRC file with the same name as the current track title, then the lyric of current track is also displayed on the ID3 information display area.



## 2 How to use the TrekStor MusicStick 120

### 2.1 Power On/Off

To turn on the device, press and hold the  $\text{\textcircled{1}}$ -key for 2 seconds. To shut down, hold the  $\text{\textcircled{1}}$ -key for a while, the display shows '*Shut Down*' and then shut down immediately.

### 2.2 Basic functions

#### 2.2.1 Volume Control

Press the '*V+*'-key to increase the volume or press the '*V-*'-key to decrease the volume.

### **2.2.2 Play / Pause / Stop**

When powered on, the player enters the MUSIC mode, which is defaulted by the device. To play music, press the Control Wheel shortly. Press the Control Wheel during playback, the music pauses. To resume, press it again. Press and hold the Control Wheel button for about 0.5 second, the music stops.

### **2.2.3 Preview/Next**

During playback, turn the Control Wheel upwards once to play the previous song or turn it downwards once to play the next song.

### **2.2.4 Rewind/Fast Forward**

During playback, hold the Control Wheel upwards to rewind within the current track, or hold the Control Wheel downwards to fast forward within the current track.

### **2.2.5 A-B Repeat**

During playback, press the 'A-B'-button to select the start point of the loop. Press the 'A-B'-button again to select the end point. LCD displays 'A-B', and the section between the start point and the end point begins to be played repeatedly. To cancel A-B repeat, press the 'A-B'-button.

Note: The interval between 'A' and 'B' should be more than 2 seconds.

### **2.2.6 Lock Keys**

To lock keys against accidentally being pressed, push the 'HOLD'-switch to the locked position. All keys remain unavailable then. To unlock the keys, push the 'HOLD'-switch to the unlocked position.

**Tip:** *When the keys are locked, you are unable to turn on the device. So ensure to unlock the keys before turning on the player.*

## 2.3 Menu Mode

This device provides menu modes to control some advanced features. To enter the main menu, press the  $\textcircled{1}$ -key. To select a menu item on the main menu, turn the Control Wheel upward or downward to toggle between the menu items, and then press the Control Wheel to confirm the selected item. To return to the previous menu level you can press the  $\textcircled{1}$ -key. Or let it return automatically by doing nothing to the menu within 5 seconds.

Turn the Control Wheel to switch to the 'Exit' item, and then press the  $\textcircled{1}$ -key to exit from the menu mode. Alternatively, you can let it exit automatically by doing nothing to the menu within 5 seconds.

### 2.3.1 Voice Recording

Press the  $\textcircled{1}$ -key to enter the main menu and turn the Control Wheel to the 'Voice' item. Now you are in the VOICE mode. To start voice recording, press the 'A-B'-key until 'Rec' flashes on the LCD. The actual record time is displayed. The available record time depends on the memory capacity of the MP3 player.

To end recording, press the 'A-B'-key slightly. The recorded file is saved in folder VOICE. Now you can press the Control Wheel to play the voice file that you just recorded.

To play the voice file that already stored in the player, press the ①-key to enter the Voice mode, and turn the Control Wheel to choose the voice file that you want to play, and press the Control Wheel to play the selected file. To pause during playback, press '▶||'; To resume, press it again. Hold the Control Wheel for about 0.5 seconds and the playback stops.

Tip: If there is no voice file stored in the player, it displays "No Audio file".

### **2.3.2 Change EQ mode**

Press the ①-key to enter the main menu. Turn the Control Wheel to navigate through the menu items. Select 'EQ' item, and then press the Control Wheel again to reveal the EQ modes. Choose one of the 6 EQ modes and then press the Control Wheel to confirm the selected mode.

### 2.3.3 Switch playback mode

Press the  $\text{\textcircled{1}}$ -key to enter the main menu. Turn the Control Wheel to navigate through the menu items. Select '*Repeat*', and then press the Control Wheel to reveal the optional modes. Choose and then press the Control Wheel to confirm the selected mode.

- '*Normal:*' Play all tracks in order and stop after playing all.
- '*One:*' Keep repeating the current track.
- '*All:*' Play all tracks in order and repeat.
- '*Shuffle:*' Play all tracks randomly and stop after playing.
- '*Rep Shuffle:*' Keep repeating all tracks randomly.

### 2.3.4 Preview Songs

Press the  $\text{\textcircled{1}}$ -key to enter the main menu. Turn the Control Wheel to navigate through the menu items. Select '*Preview*', and then press the Control Wheel to start preview. In the preview mode, the player will play the first 10 seconds of every track in order and stops after the last track has been played. To exit preview, press the  $\text{\textcircled{1}}$ -key. It will return to the main menu.

### **2.3.5 Delete one track**

Press the **⓪**-key to enter the main menu. Turn the Control Wheel to switch to the *'Delete One'* item and press the Control Wheel to select it. When the display shows *'Delete File?'* turn the Control Wheel to choose the track that you want to delete. Press the Control Wheel to confirm deletion. *'Delete ok'* will display on the LCD, which indicates the track has been deleted. Or, press the **⓪**-key to cancel delete operation.

### **2.3.6 Delete all tracks**

Press the **⓪**-key to enter the main menu. Turn the Control Wheel to switch to the *'Delete All'* item and press the Control Wheel to select it. When the display shows *'Delete All Files?'* press the Control Wheel to confirm deletion. *'Delete ok'* will display on the LCD, which indicates all tracks have been deleted. Or, press the **⓪**-key to cancel delete operation.

### 2.3.7 Memory

To view the memory information of the player: Press the  $\text{\textcircled{1}}$ -key to enter the main menu. Select '*Memory*', and press the Control Wheel to enter the menu. Total memory and the remaining space will be shown.

### 2.3.8 Backlight

To set the backlight time press the  $\text{\textcircled{1}}$ -key to enter the main menu. Turn the Control Wheel to select '*Backlight*' and press the  $\text{\textcircled{1}}$ -key to display its options. Select among the four options '*5 Secs*', '*10 Secs*', '*Always on*' and '*Disable*' by turning the Control Wheel. Press the  $\text{\textcircled{1}}$ -key to confirm your selection.

According to this setting, the backlight will last for the preset time when any key is pressed.

### 2.3.9 Contrast

To set the background against the foreground contrast press the  $\text{\textcircled{1}}$ -key to enter the main menu. Turn the Control Wheel to select '*Contrast*' and press the Control Wheel to confirm. Adjust the contrast by turning



the Control Wheel. Turn upwards to decrease the contrast or turn downwards to increase the contrast. Press the Control Wheel to confirm the setting.

If you want to reserve the previous setting, just press the  $\text{\textcircled{1}}$ -key.

### **2.3.10 Auto shutdown**

To set the time before the player is shut down automatically when it is idle press the  $\text{\textcircled{1}}$ -key to enter the main menu. Turn the Control Wheel to select '*Shut down*' by turning the Control Wheel and press the Control Wheel to reveal its option. Select the desired option and press the Control Wheel again to confirm your selection.

According to this setting, the player will be turned off automatically when it is idle for selected time.

### **2.3.11 Play Time Setting**

To power off automatically after a preset playing time is elapsed press the  $\text{\textcircled{1}}$ -key to enter the main menu. Turn the Control Wheel to select '*Play time*' and press the Control Wheel to reveal its option. Select the

desired time by turning the Control Wheel and press the Control Wheel to confirm your selection.

### 2.3.12 Set Display Language

TrekStor MusicStick 120 supports several different languages. To select the display language, press the Ⓞ-key to enter the main menu. Select the '*Language*' menu and press the Control Wheel again to reveal the provided languages. Select the desired language and press the Control Wheel to confirm.

## 3 Connecting the player to the PC

### 3.1 System Requirements

- Microsoft® Windows™ 98/ME/2000/XP
- CD-ROM Drive
- Pentium 200MHz
- RAM 32MB (Windows ME, 2000) - 64MB (Windows XP)
- USB-Port


The TrekStor MusicStick 120 is a plug & play device. It is driverless for WIN2000/XP. But for WIN98, you are required to install the driver first before connecting it to the computer. For Windows 2000 or Windows XP, it is recommended to install the driver also so that you can upgrade, initialize or recover the system.

### 3.2 Installation guidelines

**Warning:** *Windows 98 users are required to install the driver first before connecting the TrekStor MusicStick 120 to the computer.*

- Insert the driver CD into the CD-ROM drive. The TrekStor menu appears.
- Click on '*Driver / Tools*'.
- Follow the instructions of the installation program.

### 3.3 Remove the player from the PC

To avoid possible data loss, please remove the player from the PC safely. For WIN2000/XP, double click the  at the right hand corner of the taskbar. Click '*Stop*' to stop the device and then click '*OK*'. When the following message prompts, pull out the MP3 player.

For Win98, please make sure the player has stopped transferring data before unplugging the MP3 player. When '*Writing*' shows on the LCD

display, it indicates that data transfer is in progress. When *'Ready'* displays, it means transfer is over, you can unplug the player now.

## **3.4 Downloading Audio Files**

The TrekStor MusicStick 120 can be used as a USB Flash Disk when it is connected to the PC. You can copy audio files in MP3 or WMA format from the PC to the removable disk, or do the reverse. To download files from the PC, connect the player to the PC, and copy audio files stored on the PC to the removable disk which represents the player.

Notice: Only music file in MP3 and WMA format can be shown on the LCD.

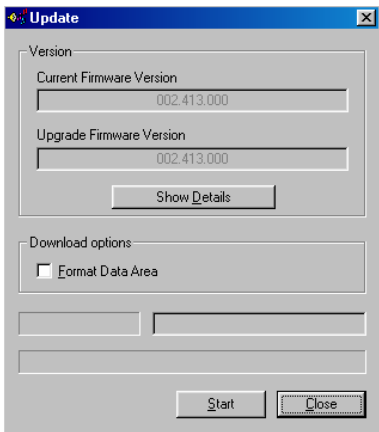


## 4 Additional information about the TrekStor MusicStick 120

### 4.1 Firmware update and format

If you want to update the system, please do as follows:

1. Take out the battery before connecting the player with the computer.
2. Press and hold the Play button while connecting the player with the computer by the USB port.
3. Click '*Start*' '*Program*' '*TrekStor MusicStick 120*' and then '*update*'. The TrekStor MusicStick 120 Update dialogue pops up.



Select the 'Format data area' option and start formatting process. Thus the system will be formatted and updated.



## 4.2 Technical Specifications

Capacity	128MB/256MB/512MB/1GB
Dimensions	80 mm x 36 mm x 17.5 mm
LCD	64 x 48 Pixel, EL Backlight
Temperature	-10 °C – +55 °C
Relative Humidity	20% – 90%
Battery Type	AAA-size alkaline
Battery Life	6-10 h
Audio File Format	MPEG1/2/2.5 Audio Layer3 (.MP3); Window Media Audio (.WMA);
Earphone Power	5 mW + 5 mW
Output Frequency	20 Hz - 20 kHz
Signal-To-Noise Ratio	> 90 dB
EQ Modes	Normal, Classic, Jazz, Pop, Rock, Bass
Record Format	WAV
Record Bit Rate	8 kbps
USB	USB Version 2.0



## 5 Troubleshooting

**The LCD displays nothing when the '▶||'-key is pressed:**

Possible Cause:

- No battery or battery is too low.
- The keys are locked.

Solution:

- Install or replace the battery.
- Unlock the Hold switch.

**When the player is connected to the PC, the removable disk cannot be opened:**

Possible Cause:

- The FAT table of the flash disk is damaged due to incorrect operations.

Solution:

- Use the enclosed driver to format the player.

### **The player cannot be powered on even the battery is replaced:**

#### Possible Cause:

- FAT table in the flash memory may have errors in the case of strong magnet, static, and incorrect disconnection.

#### Solution:

- Take out the battery.
- Connect the player to the PC and hold down the Play key for about 3 seconds.
- When a removable disk is found in 'My Computer', use the driver to format and update the player.
- Unplug the player when you finish formatting and updating and retry.

### **The player cannot be connected to the PC:**

#### Possible Cause:

- The keys are locked by Hold switch

#### Solution:

- Slide the Hold switch to the unlocked position.

---

**Press the '▶||'-key after turning on, while the player has no response:**

Possible Cause:

- The volume is too low.
- There are problems with the audio file.

Solution:

- Adjust the volume.
- Delete the file or play other files.

**No sound when playing music or voice file:**

Possible Cause:

- The driver is not installed or destroyed.
- The USB interface is not supported by PC's motherboard.

Solution:

- Install or reinstall the driver shipped with the player.
- Update or replace the PC's motherboard.

**The displayed time is changing constantly:**

Possible Cause:

- The bit rate of the MP3 file is changing during playback.

Solution:

- Try to use fixed bit rate to compress the MP3 file.

### **The PC has error when you plug and unplug the player:**

#### Possible Cause:

- The player is disconnected from the PC abruptly while transferring files.

#### Solution:

- Do not disconnect the player from the PC when transferring files.

### **Total memory displayed on the player is not in accordance with the marked amount:**

#### Possible Cause:

- Part of memory is used to store programs and display characters.

### **Some of MP3 files cannot be played properly:**

#### Possible Cause:

- The MP3 file is compressed by a standard, such as MPEG I Layer 1 or Layer 2 that the player does not support.

#### Solution:

- Delete the unsupported MP3 files.
- Use MPEG I Layer 3 standard to compress the unsupported MP3 files.